

## NLS 45-150 AWD SERVICEPACK X



### WEIGHT RATINGS

GVM	4,500 kg
GCM	8,000 kg
TOWING CAPACITY	4,000 kg*

### ENGINE

POWER	110 kW @ 2,800 rpm
TORQUE	375 Nm @ 1,600 - 2,800 rpm

### TRANSMISSION

5 speed manual transmission (MT)

\* Refer to back page for detailed weight rating information

READY TO WORK	
<b>STANDARD FEATURES</b>	Fully powdercoated lightweight hybrid aluminium & steel service body
	Large open access main storage compartment & underbody boxes
	Gullwing doors for maximum versatility & accessibility
	Compact rear tray with checkerplate floor, drop down sides & integrated load restraint anchor points
	Body mounted roof racks
	LED interior lighting
	Front & rear yellow non-slip steps & grab handles
	Storage compartment locking integrated with vehicle central locking system. Key override possible.
	4,000 kg rated towbar
Isuzu low light capable reversing camera	

SERVICE AGREEMENTS			
Optional Service Packages	ESSENTIALS	ESSENTIALS PLUS	TOTAL
<b>SCHEDULED SERVICINGS</b>	●	●	●
<b>CONSUMABLES</b>		●	●
<b>ENGINE, TRANSMISSION &amp; DRIVELINE</b>			●
<b>EXTRAS</b>	After-hours Servicing, Glass, Fuel Card, Pickup - Dropoff		

INTELLIGENT SAFETY		
<b>ACTIVE SAFETY ADVANCED DRIVER ASSISTANCE SYSTEMS (ADAS)</b>	Anti-Lock Braking System	<b>(ABS)</b>
	Hill Start Aid	<b>(HSA)</b>
	Automatic Lighting System (Front & Rear)	<b>(ALS)</b>
	Cab Tilt Warning	<b>(CTW)</b>
<b>PASSIVE SAFETY CABIN OCCUPANT SAFETY SYSTEMS (COSS)</b>	Driver & front passenger airbags	
	Driver & front left hand passenger seatbelt pretensioners	
	ECE-R29 cab with side anti-intrusion beams	
	Overhead shelf restraint netting	
	Door mounted cornering lamps	

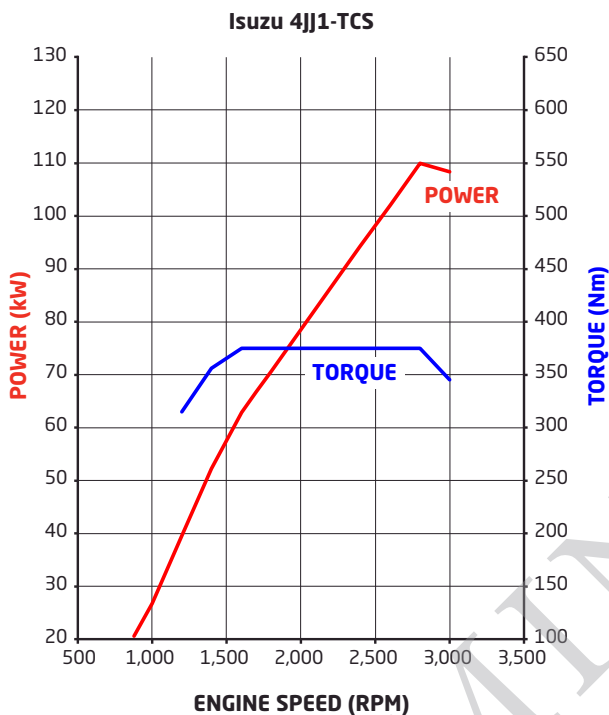
ISUZU CARE	
<b>WARRANTY</b>	3 Year Standard Warranty
	150,000 km / Unlimited Hours
<b>ROADSIDE ASSIST</b>	3 Year / Unlimited km Body Equipment
	3 Year Roadside Support
	24/7 Unlimited km

Subject to the conditions outlined in the IAL New Vehicle Warranty. For further information please visit [isuzu.com.au](http://isuzu.com.au) or contact your local dealer.



# NLS 45-150 AWD SERVICEPACK X

ENGINE	
<b>DESCRIPTION</b>	Isuzu 4JJ1-TCS
<b>TYPE</b>	4 cylinder 16 valve with chain driven DOHC
<b>DISPLACEMENT</b>	2,999 cc
<b>COMPRESSION RATIO</b>	17.5:1
<b>BORE X STROKE</b>	95.4 mm x 104.9 mm
<b>POWER</b>	110 kW (150PS) @ 2,800 rpm (DIN NET)
<b>TORQUE</b>	375 Nm @ 1,600 - 2,800 rpm (DIN NET)
<b>INDUCTION</b>	Electronically controlled variable nozzle turbocharger with air-to-air intercooler
<b>FUEL INJECTION</b>	Direct injection high pressure common rail
<b>EMISSION CONTROL</b>	Cooled EGR with exhaust Diesel Particulate Diffuser (DPD). ADR 80/03 (Euro V / EEV) compliant.



CLUTCH	
<b>MT</b>	<b>Type:</b> Single plate with auto adjusting hydraulic control and vacuum assistance <b>Clutch plate diameter:</b> 300 mm <b>Clutch lining area:</b> 847 cm <sup>2</sup>

TRANSMISSION													
<b>MT</b>	<b>Description:</b> Isuzu MYY-5S <b>Type:</b> 5 speed manual. Synchromesh on gears 1-5. <b>Ratios:</b> <table border="1" style="margin-left: 20px;"> <thead> <tr> <th>1ST</th> <th>2ND</th> <th>3RD</th> <th>4TH</th> <th>5TH</th> <th>REV</th> </tr> </thead> <tbody> <tr> <td>5.979</td> <td>3.434</td> <td>1.752</td> <td>1.000</td> <td>0.795</td> <td>5.701</td> </tr> </tbody> </table>	1ST	2ND	3RD	4TH	5TH	REV	5.979	3.434	1.752	1.000	0.795	5.701
1ST	2ND	3RD	4TH	5TH	REV								
5.979	3.434	1.752	1.000	0.795	5.701								
<b>TRANSFER GEARBOX</b>	<b>Type:</b> On demand part time all wheel drive controlled by viscous coupling <b>Ratio:</b> 1.00												

AXLES	
<b>FRONT</b>	<b>Description:</b> Isuzu FD026 <b>Type:</b> Fully independent wishbone and final drive with Birfield inner and outer outer joints <b>Hub locking:</b> Manual <b>Capacity:</b> 2,600 kg
<b>REAR</b>	<b>Description:</b> Isuzu R050 <b>Type:</b> Full floating banjo with four pinion limited slip differential <b>Capacity:</b> 5,000 kg <b>Ratio:</b> 4.300

SUSPENSION	
<b>FRONT</b>	Torsion bar springs Double acting hydraulic shock absorbers
<b>REAR</b>	Taper leaf main, taper leaf helper spring Double acting hydraulic shock absorbers

BRAKES	
<b>TYPE</b>	Ventilated disc/rear drum with dual circuit hydraulic control, vacuum assistance and electronic brake force distribution (EBD)
<b>DIAMETER FRONT</b>	285 mm
<b>DIAMETER X WIDTH REAR</b>	320 x 75 mm
<b>PARK BRAKE</b>	190 mm diameter drum mounted on rear of transmission
<b>AUXILIARY BRAKE</b>	Vacuum controlled exhaust brake

STEERING	
<b>TYPE</b>	Power assisted rack and pinion
<b>TURNS LOCK TO LOCK</b>	5.0
<b>WHEEL LOCK ANGLE</b>	35° (inside wheel) / 33° (outside wheel)

WHEELS & TYRES	
<b>FRONT</b>	<b>Wheels:</b> 16 x 5.5J five stud steel <b>Tyres:</b> 205/85R16 117/115L Bridgestone G557 Tubeless <b>Steer axle tyre rating:</b> 2,240 kg at 475 KPa inflation pressure
<b>REAR</b>	<b>Wheels:</b> 16 x 5.5J five stud steel <b>Tyres:</b> 205/85R16 117/115L Bridgestone G557 Tubeless <b>Drive axle tyre rating:</b> 4,240 kg at 475 KPa inflation pressure
<b>SPARE</b>	1 frame mounted spare wheel and tyre assembly

CHASSIS FRAME	
<b>TYPE</b>	Cold rivetted ladder frame. SAPH440 steel sidemembers.
<b>DIMENSIONS</b>	<b>Side rail (mm):</b> 180 x 65 x 4.0 <b>Rear frame width (mm):</b> 700

FUEL TANK	
<b>TYPE</b>	Frame mounted steel fuel tank
<b>CAPACITY</b>	75L
<b>FUEL CAP</b>	Lockable

ELECTRICAL SYSTEM	
<b>TYPE</b>	24 volt
<b>ALTERNATOR</b>	90 amp
<b>STARTER MOTOR</b>	4.0 kW
<b>BATTERY</b>	2 x 80D26L (630 CCA) batteries connected in series

CABIN GENERAL FEATURES	
<b>ENGINE ACCESS</b>	Manual cab tilt to 45° with torsion bar assistance
<b>STEPS</b>	Heavy duty anti-slip steps
<b>DOORS</b>	90° opening internally reinforced front doors
<b>MIRRORS</b>	Heated and powered exterior main mirrors with flat glass and additional independantly adjustable convex "spot" mirrors
<b>WIPERS</b>	Two speed windscreen wipers with intermittent wipe mode
<b>EXTERIOR LIGHTING</b>	Multi-reflector halogen headlamps
<b>AUDIBLE WARNING</b>	Reverse alarm
<b>GRILLE</b>	Body coloured
<b>SECURITY</b>	Central locking with remote keyless entry and immobiliser

CABIN INTERIOR	
<b>SEATING</b>	Driver's bucket seat Front passenger bench seat with 2 seat capacity
<b>SEATBELTS</b>	3-point lap sash seatbelts in all outboard seating positions. Centre seat lap belts.
<b>STEERING COLUMN</b>	Tilt / telescopic adjustable
<b>ENTRY ASSIST GRIPS</b>	Door and roof pillar mounted
<b>DOOR WINDOWS</b>	Electric control
<b>STORAGE</b>	Overhead shelf Twin cup holders Front door pockets
<b>POWER OUTLET</b>	24V cigarette lighter
<b>AIRCONDITIONING</b>	Manual control
<b>INTERIOR LIGHTING</b>	Fluorescent lamp

AUDIO VISUAL UNIT	
<b>SCREEN TYPE</b>	6.2" LCD with capacitive touch
<b>OPERATING SYSTEM</b>	Android
<b>RADIO</b>	AM/FM/DAB+. Internet radio via smartphone.
<b>INTERNAL STORAGE CAPACITY</b>	32GB
<b>OTHER CAPABILITY</b>	Provision for external camera inputs, navigation, reverse sensors and tyre pressure monitoring

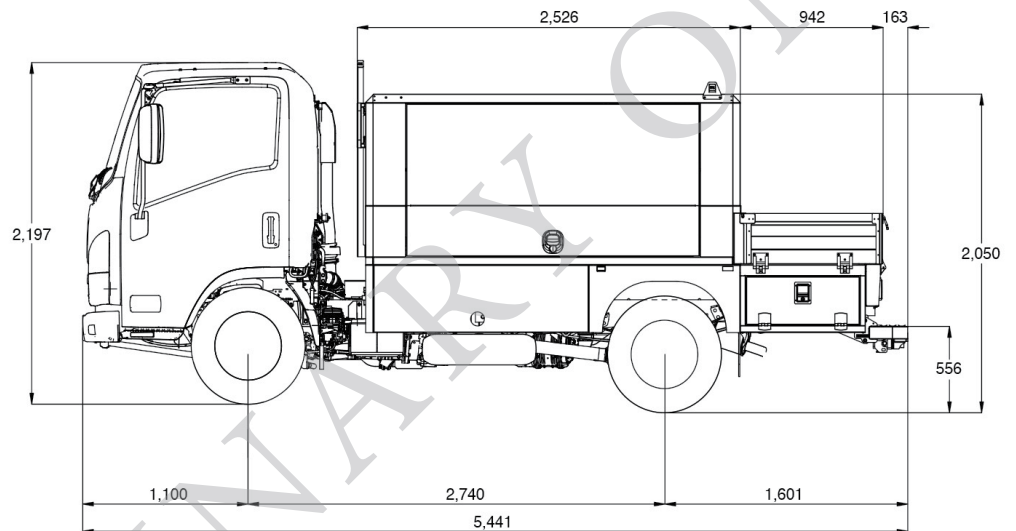
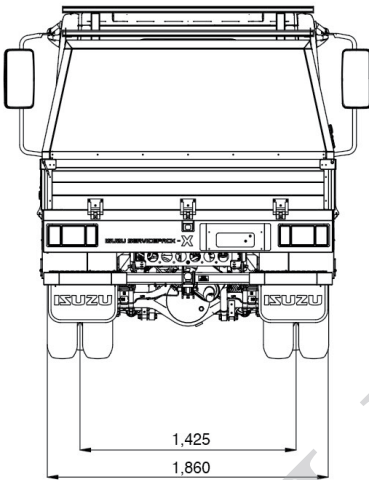
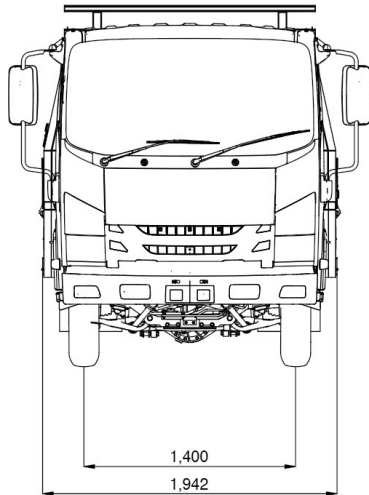
DRIVER CONTROLS	
<b>SAFETY SYSTEMS</b>	Headlamps and ALS on/off, HSA on/off/sensitivity adjust
<b>ENGINE</b>	Idle speed control Cruise control DPD manual regeneration switch
<b>GENERAL CONTROLS</b>	Windscreen wipers (2 speed and intermittent modes), washers, exhaust brake, turn signals, all wheel drive engage switch

INSTRUMENTATION	
<b>MULTI INFORMATION DISPLAY</b>	CTW indicator Vehicle systems status Low fuel level alert Fuel consumption information Service interval alerts Hourmeter Adjustable vehicle speed warning
<b>GENERAL INSTRUMENTATION</b>	Speedometer and tachometer Digital odometer with integrated dual tripmeters Engine coolant temperature and fuel level gauges

WEIGHTS (kg)							
MODELS	RATINGS*		LOADING LIMIT* (at ground)		WEIGHT #		
	GVM	GCM	FRONT	REAR	FRONT	REAR	TOTAL
NLS 45-150 AWD SERVICEPACK X	4,500	8,000**	2,240	4,240	1,655	1,155	2,810

\* Vehicle ratings and axle weight limits are subject to government regulatory requirements and weight distribution analysis. Consult your Isuzu dealer to select the correct vehicle for your specific application.\*\*4,000kg maximum towing limit applies. Tag trailer weight should not exceed towing vehicle weight. Limit is subject to government regulatory requirements.

# Vehicle as supplied and including 10 litres of fuel.



<b>TURNING CIRCLE (kerb to kerb)</b>
10.1 m

PERFORMANCE (calculated - typical paved road)				
		GEARED SPEED* (top gear at peak power engine rpm)	LOW SPEED GRADEABILITY (lowest forward gear assuming no wheel slip)	ENGINE SPEED (top gear at 100 km/h)
NLS 45-150 AWD SERVICEPACK X	At 4,500 kg GVM	112 km/h @ 2,800 rpm	52%	2,500 rpm

\* Maximum speed achievable depends on vehicle frontal area as well as other factors. Consult your Isuzu dealer for more detailed information.

ORDER CODES	
MODELS	CODES
NLS 45-150 AWD SERVICEPACK X	NH-NLSAA-AG1

Subject to the conditions outlined in the IAL New Vehicle Warranty, 4x4 and AWD Isuzu N series models carry a standard factory warranty which covers the owner for the first 36 months or 150,000 kilometres (whichever comes first). All Isuzu warranties are subject to mandatory prescribed terms under Australian Consumer Law including consumer guarantees. The installed Body and associated equipment carry a standard warranty which covers the owner for the first 36 months. For more details visit the Isuzu website at [www.isuzu.com.au](http://www.isuzu.com.au) which explains Isuzu warranties in more detail, or alternatively contact your local Isuzu Truck dealer. All warranties commence from date of initial delivery.

ISUZU AUSTRALIA LIMITED ABN 97 006 962 572 ("IAL"). The information in this spec sheet was correct at time of printing, but all measurements, specifications and equipment are subject to change without notice. Some equipment may have been changed and/or is available at extra cost. IAL may make changes at any time without notice, in prices, colours, materials, equipment and models. IAL makes all reasonable attempts to ensure the availability of all vehicles and equipment. The information in this spec sheet is general in nature. Your Isuzu dealer can confirm all measurements, specifications and vehicle / equipment availability upon request. To the extent permitted by the law, IAL is not liable to any person as result of reliance on the content of this spec sheet.